

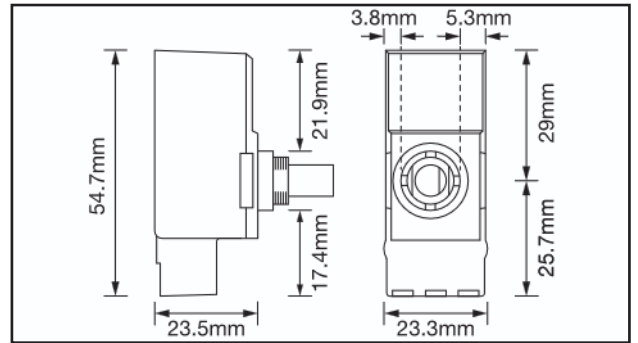
## ADIM/150W

150W Programmable 2 Way LED Dimmer Module



### PRODUCT FEATURES

- Programmable Leading Edge And Trailing Edge Modes
- 5W - 150W LED Max Load
- No Maximum Luminaire Quantity
- Programmable Minimum Brightness Setting
- Advanced OptiDim Technology
- Wide Dimming Compatibility
- Slightly Off-Centre Spindle
- Compact Size With Earth Lug Void
- Ideal For Retrofit And New Installations
- Large Terminals For Easy Wiring
- Optimised For Enhanced LED Dimming Performance



### TECHNICAL SPECIFICATIONS

PRODUCT CODE	ADIM/150W
Operating Voltage	220-240V AC
Operating Current (A Max)	0.7A
Max Output Power	5W - 150W LED
Power Factor	≥0.83
No Load Power (W)	0W
Class	II
Body Material	Polycarbonate
Ingress Protection	IP20
Ambient Operating Temperature (°C)	-10°C~40°C
Input Frequency (Hz)	50Hz
Guarantee	2 Years
Dimming Mode (Trailing or Leading)	Fully Programmable - Leading Edge And Trailing Edge (2 Modes)

